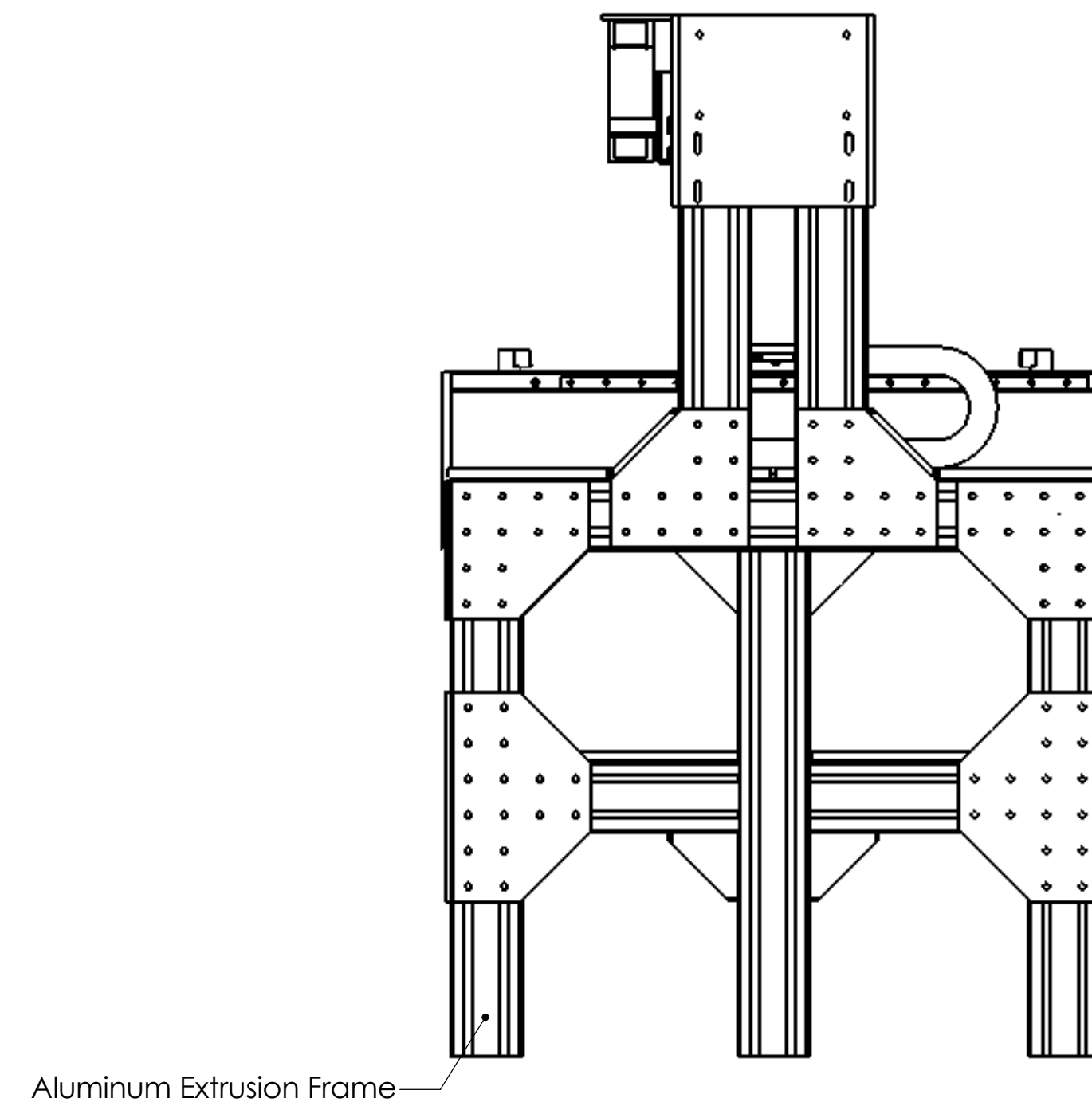
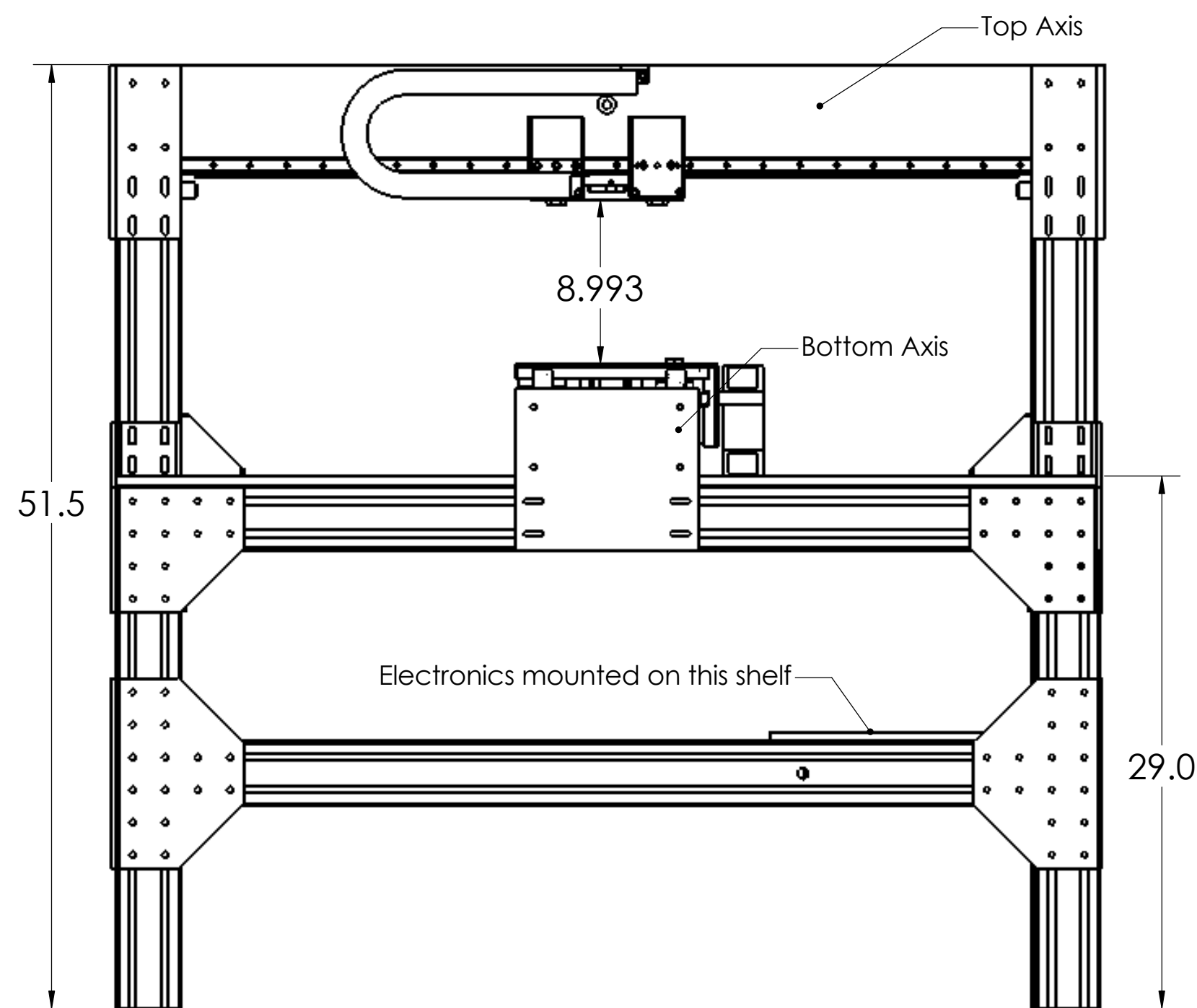
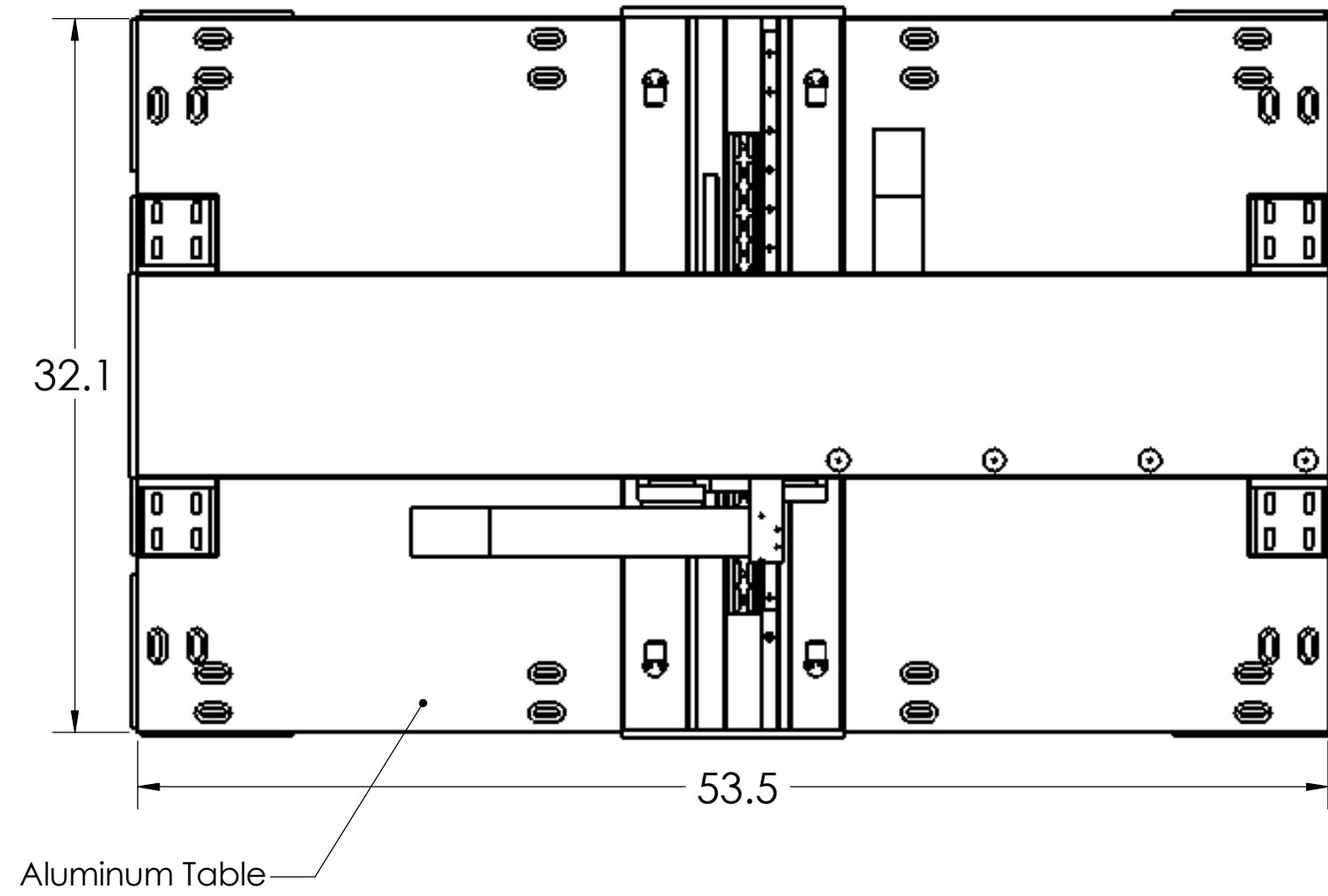


These drawings and specifications are the property of H2W Technologies, Inc. They are issued in confidence and shall not be reproduced, copied, or used without written permission from H2W Technologies, Inc.

REVISION TABLE					
REV	ECN#	DESCRIPTION	REV BY	APPROVED	DATE
---	---	Original Drawing	OOG	MPW	12-15-04

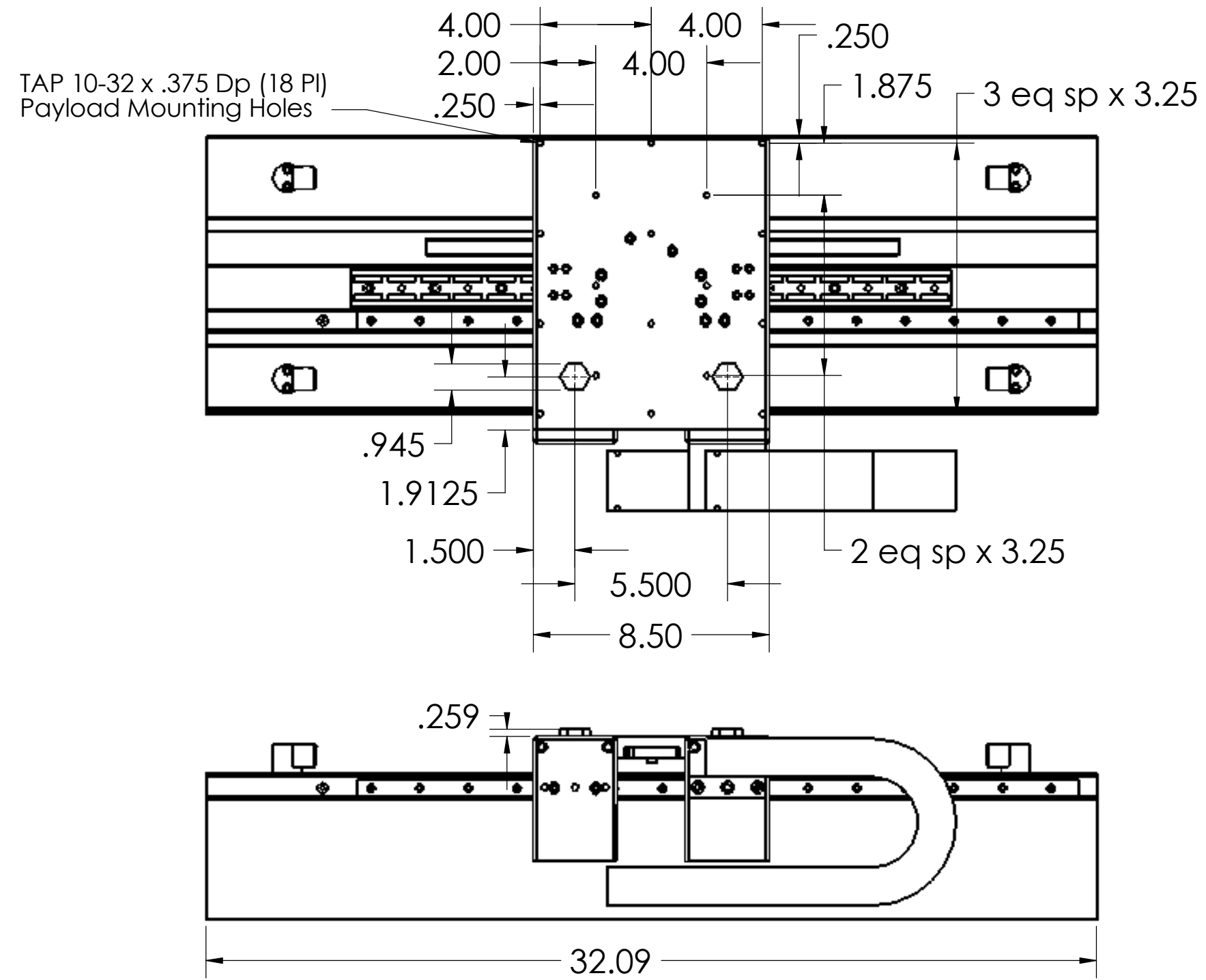
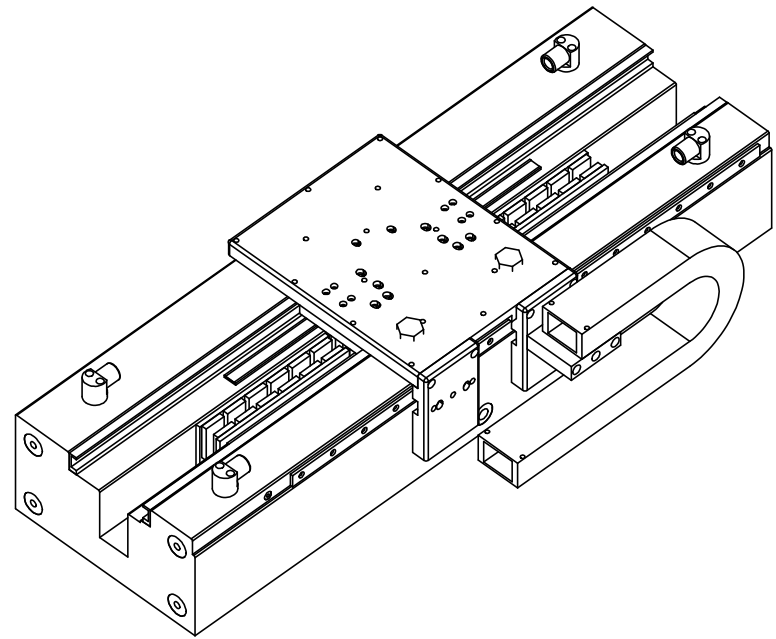


UNLESS SPECIFIED OTHERWISE: All dimensions are in inches. Standard Tolerances are as follows: XXX ±.005 ANGLES ±1° XX ±.010 FILLETS AND X ±.020 CORNERS 0.010 Remove All Burrs and Sharp Edges		MATERIAL	FINISH
DRAWN	DATE	APPROVED	DATE
OOG	12-15-04	MPW	12-15-04

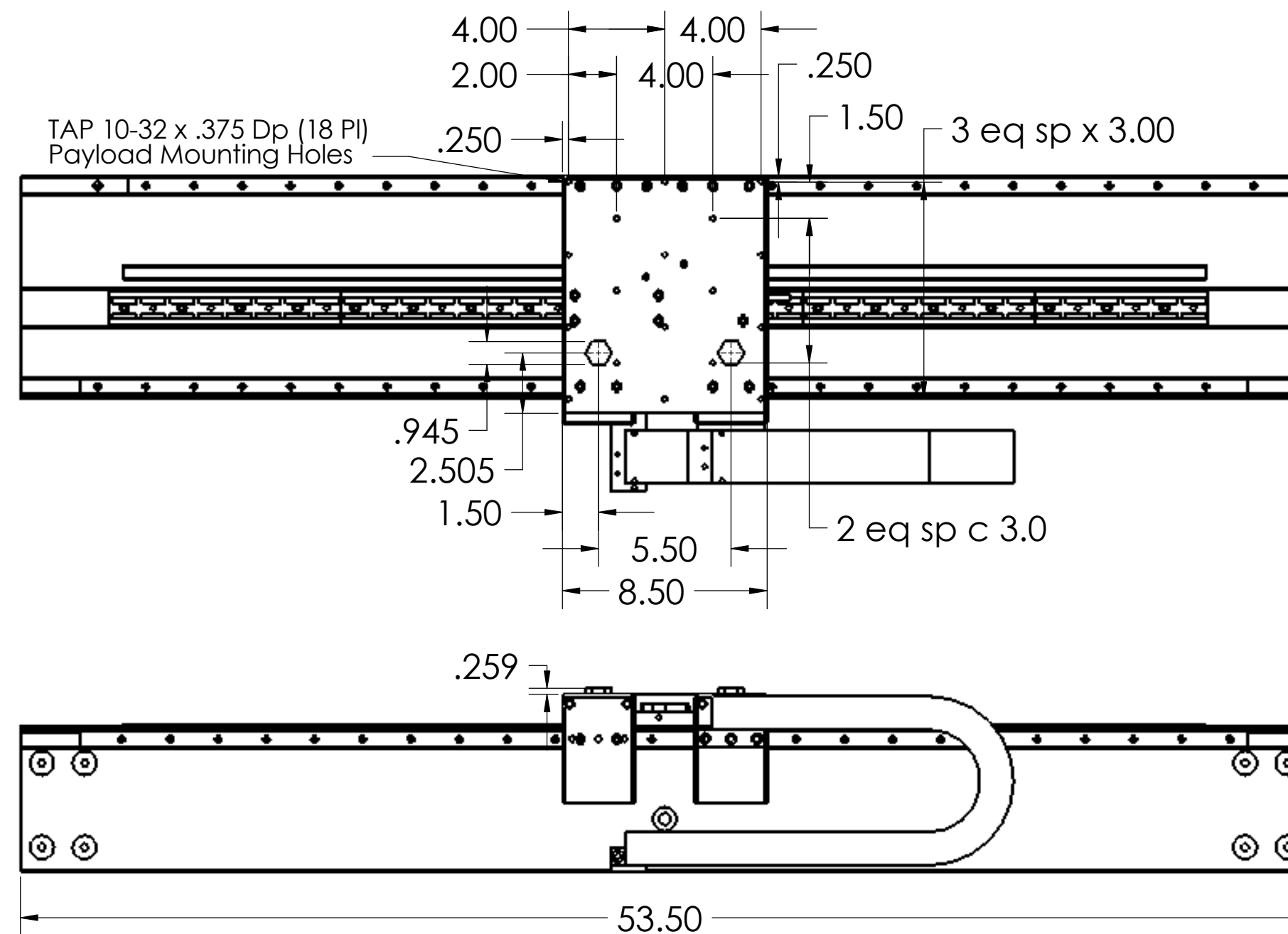
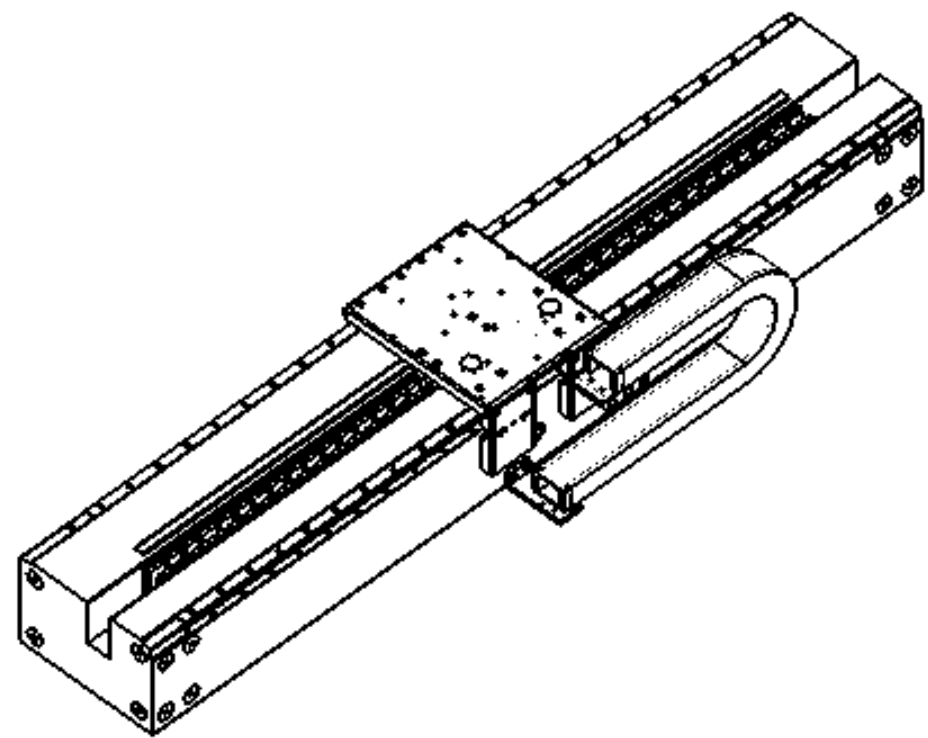
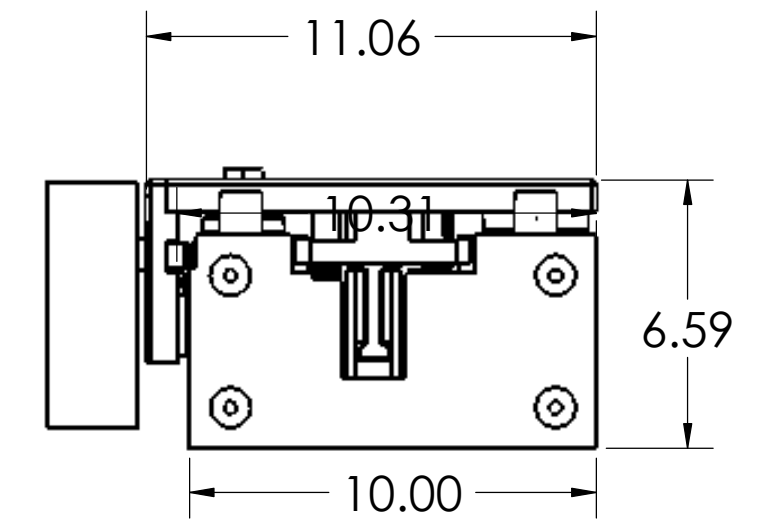
**H2W Technologies, Inc.**  
26470 Ruetter Ave #102 Santa Clarita, CA 91350 USA  
Tel: (661) 251-2081 Fax: (661) 251-2067  
www.h2wtech.com

TITLE		DWG #	REV	SHEET
<b>XY Air Bearing Stage</b>		<b>43-0086</b>	---	1 of 3

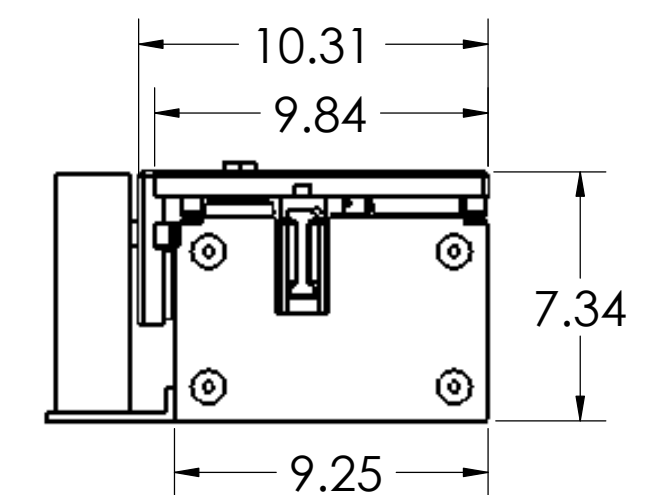
These drawings and specifications are the property of HEW Technologies, Inc. They are issued in confidence and shall not be reproduced, copied, or used without written permission from HEW Technologies, Inc.



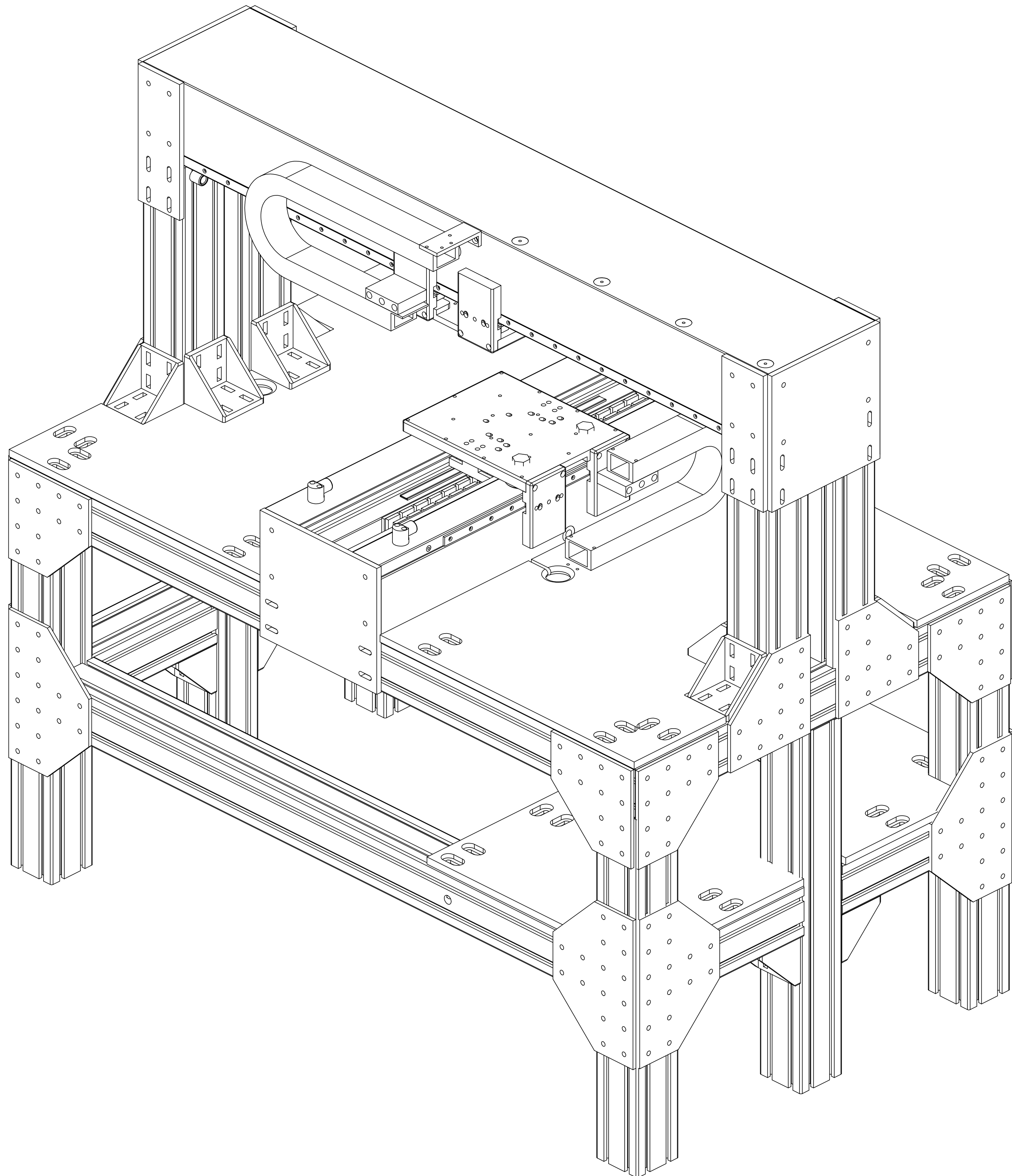
**Bottom Axis:**  
Stroke = 14in  
Force (Cont.) = 20 lbs  
Force (Peak) = 60 lbs  
Encoder = 1 micron



**Top Axis:**  
Stroke = 36in  
Force (Cont.) = 30 lbs  
Force (Peak) = 90 lbs  
Encoder = 1 micron



These drawings and specifications are the property of H2W Technologies, Inc. They are issued in confidence and shall not be reproduced, copied, or used without written permission from H2W Technologies, Inc.



TITLE		
XY Air Bearing Stage		
DWG #	REV	SHEET
43-0086	---	3 of 3